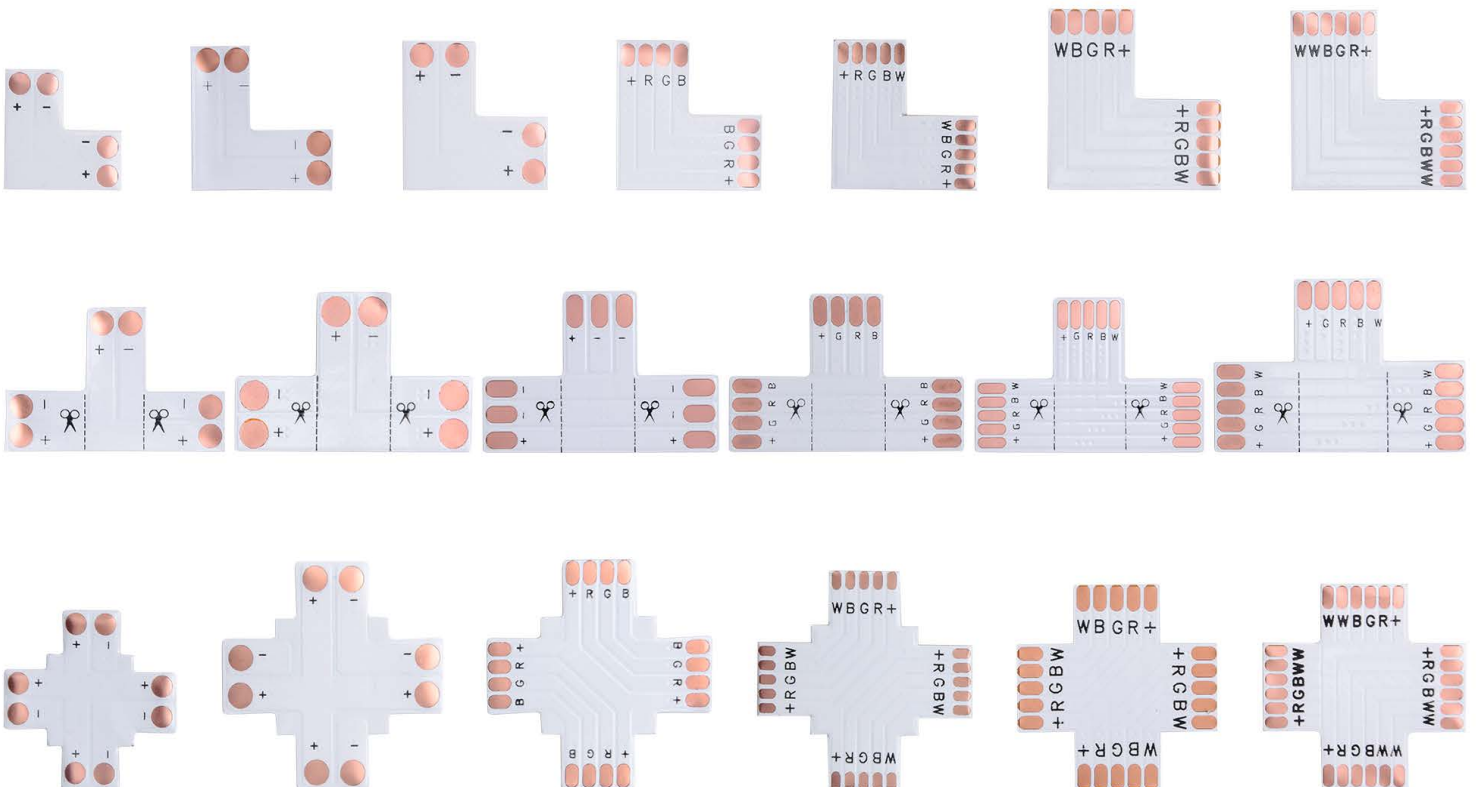




# FPC Corner Series

**Make connection at corners**



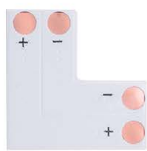
## Model for Choice

Type	L Shape						
Item NO.	FPC8-L2	FPC10-L2	FPC10-L3	FPC10-L4	FPC10-L5	FPC12-L5	FPC12-L6
Strip Light Width	8 mm	10 mm	10mm	10 mm	10mm	12mm	12mm
Pin Quantity	2 pins	2 pins	3pins	4 pins	5 Pins	5 Pins	6 Pins
Strip Light Color	Single Color	Single Color	CCT/2 Color	RGB	RGBW	RGBW	RGBWW
Outer Dimension L*W*H	16*16*0.3mm	20*20*0.3mm	20*20*0.3mm	20*20*0.3mm	20*20*0.3mm	22*22*0.3mm	22*22*0.3mm
Voltage & Current	DC3~24V / 3A						
Copper Thickness	70um						
Material	Copper						

NOTE: Can not work with Hippo-m and Beetle Clip LED strip connector



FPC8-L2



FPC10-L2



FPC10-L3



FPC10-L4



FPC10-L5

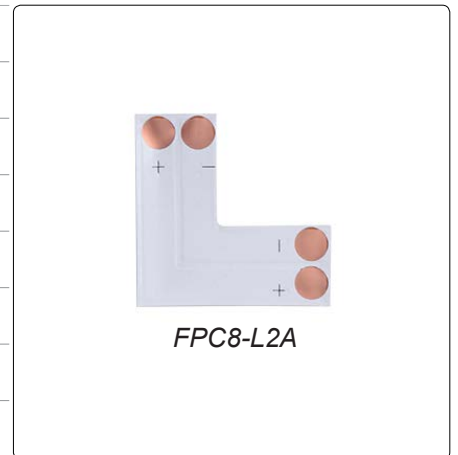


FPC12-L5



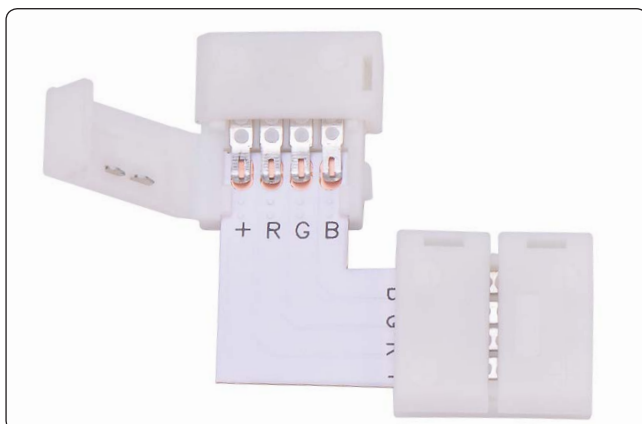
FPC12-L6

Item NO.	FPC8-L2A
Strip Light Width	8 mm
Pin Quantity	2 pins
Strip Light Color	Single Color
Outer Dimension L*W*H	19*19*0.3mm
Voltage & Current	DC3~24V / 3A
Copper Thickness	35um+70um
Material	Copper



NOTE: This series has longer space for led strip connector. Can work with all of our LED strip connector

### Work with Snap Connector



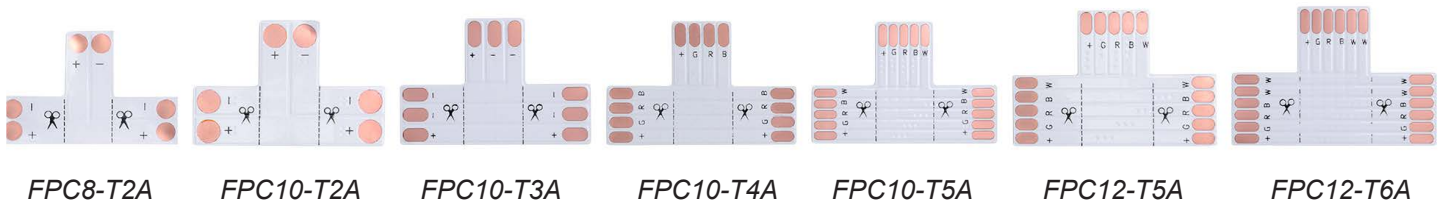
### Work with Solid Lock



## Model for Choice

Type	T Shape with Scissor Mark						
Item NO.	FPC8-T2A	FPC10-T2A	FPC10-T3A	FPC10-T4A	FPC10-T5A	FPC12-T5A	FPC12-T6A
Strip Light Width	8 mm	10 mm	10 mm	10 mm	10mm	12mm	12mm
Pin Quantity	2 pins	2 pins	3 pins	4 pins	5 Pins	5 Pins	6 Pins
Strip Light Color	Single Color	Single Color	CCT/2 Color	RGB	RGBW	RGBW	RGBWW
Outer Dimension L*W*H	30*19*0.3mm	32*21*0.3mm	32*21*0.3mm	32*21*0.3mm	30*21*0.3mm	34*23*0.3mm	34*23*0.3mm
Voltage & Current	DC3~24V / 3A						
Copper Thickness	35um+70um						
Material	Copper						

NOTE: This series has longer space for led strip connector. Can work with all of our LED strip connector



Work with Snap Connector



Work with Solid Lock



Work with Hippo-M Connector



Work with Beetle Clips Connector



## Model for Choice

Type	Cross Shape (+)						
Item NO.	FPC8-C2	FPC10-C2	FPC10-C3	FPC10-C4	FPC10-C5	FPC12-C5	FPC12-C6
Strip Light Width	8 mm	10 mm	10 mm	10 mm	10mm	12mm	12mm
Pin Quantity	2 pins	2 pins	3 pins	4 pins	5 Pins	5 Pins	6 Pins
Strip Light Color	Single Color	Single Color	CCT/2 Color	RGB	RGBW	RGBW	RGBWW
Outer Dimension L*W*H	24*24*0.3mm	30*30*0.3mm	30*30*0.3mm	30*30*0.3mm	30*30*0.3mm	28*28*0.3mm	28*28*0.3mm
Voltage & Current	DC3~24V / 3A						
Copper Thickness	2 OZ						
Material	70um						

NOTE: Can not work with Hippo-m and Beetle Clip LED strip connector



FPC8-C2

FPC10-C2

FPC10-C3

FPC10-C4

FPC10-C5

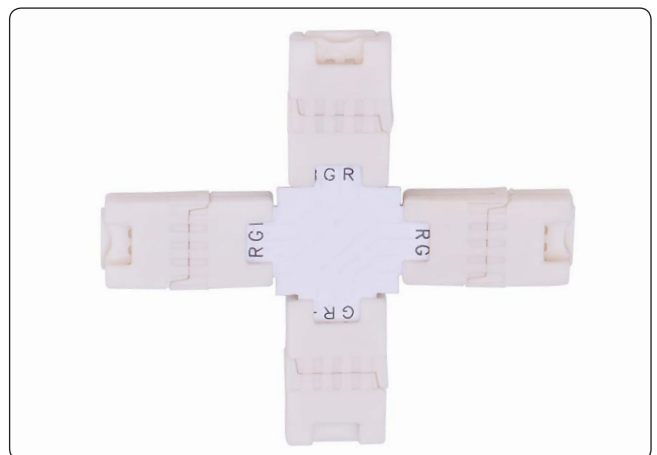
FPC12-C5

FPC12-C6

Work with Snap Connector



Work with Solid Lock



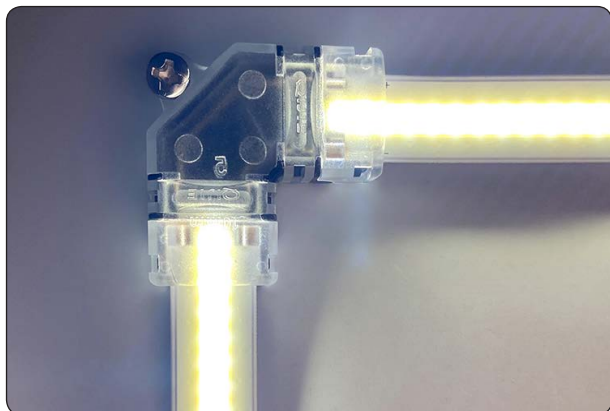




# Hippo Series-L Shape

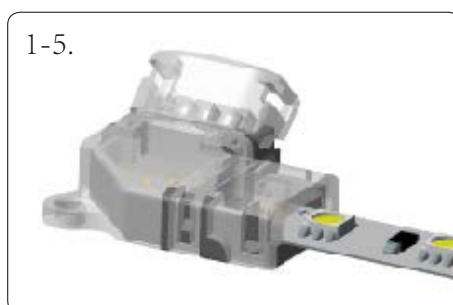
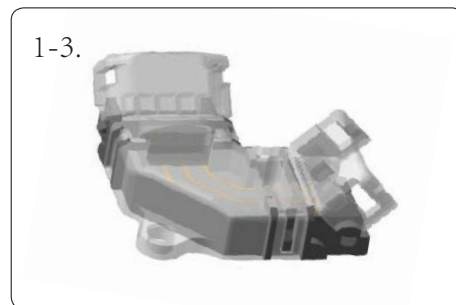
**90 degree connection at corner**



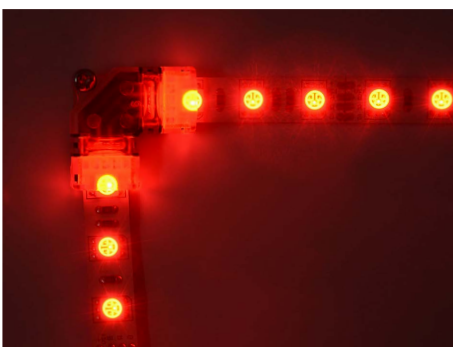


A 90 Degree strip to strip connector. Same way as hippo-m to make connection. With hole for screwfixing. Made from 1housing, it is stronger, more reliable and smaller compared with common L shape connectors assembled from FPC+snap connector

## How to use



## Application Effect



### Model for Choice

Item NO.	SEN10-L2G	SEN10-L4	DJN10-L4
Pin Quantity	2 Pin	4 Pin	4 Pin
Strip Light Color	single color	RGB color	RGB color
Strip Light IP Rating	IP20 or Pure Silicon Waterproof (IP54/65)	IP20 or Pure Silicon Waterproof (IP54/65)	IP54/65 -PU or Epoxy Cover Waterproof
Dimension	26.9*14.6*7.7mm	26.9*14.6*7.7mm	26.9*14.6*7.7mm
Type	L shape board to board		
Voltage & Current	DC3~24V Max 5A		
Strip Light Width	10 mm		
Voltage & Current	PC&Copper		



SEN10-L2G



SEN10-L4



DJN10-L4