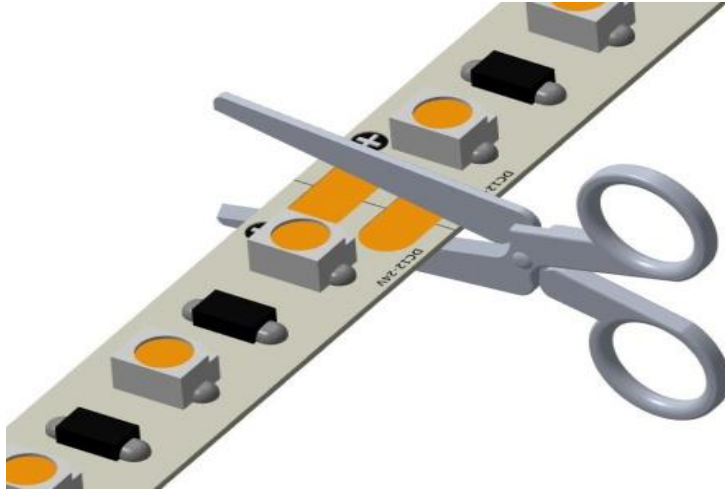
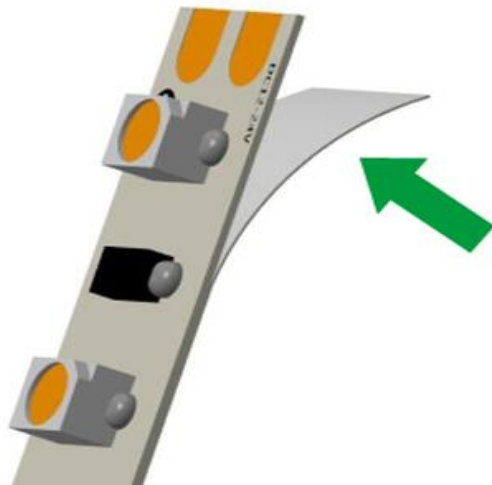


Operations Guide

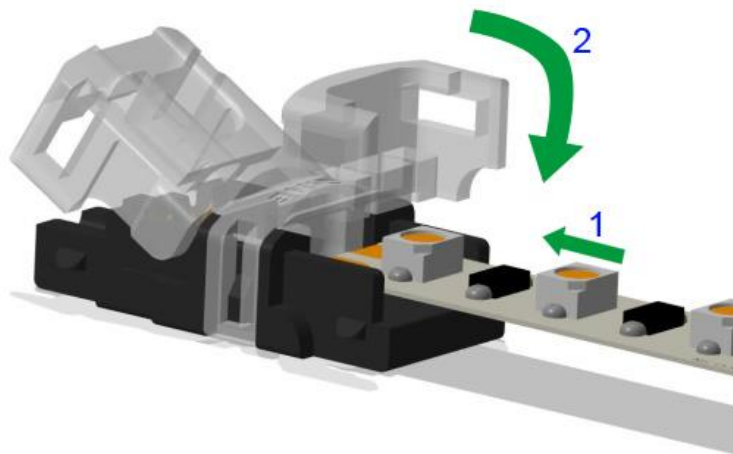
Strip end operation



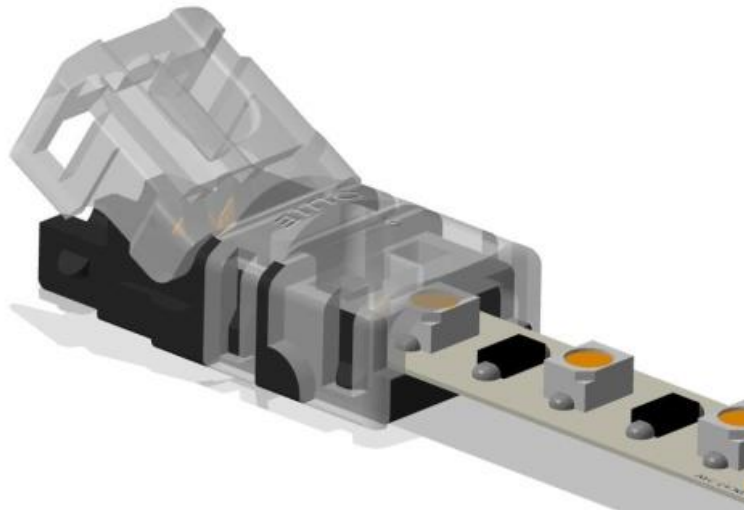
1-1: Cut LED Strip along the cuttable mark



1-2: Remove protective paper of adhesive tape



1-3: Insert LED strip to strip holder and press cap down

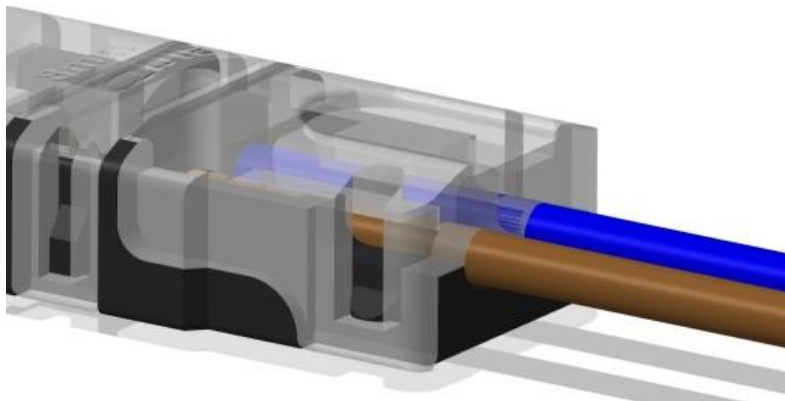


1-4: Finish connection to LED Strip

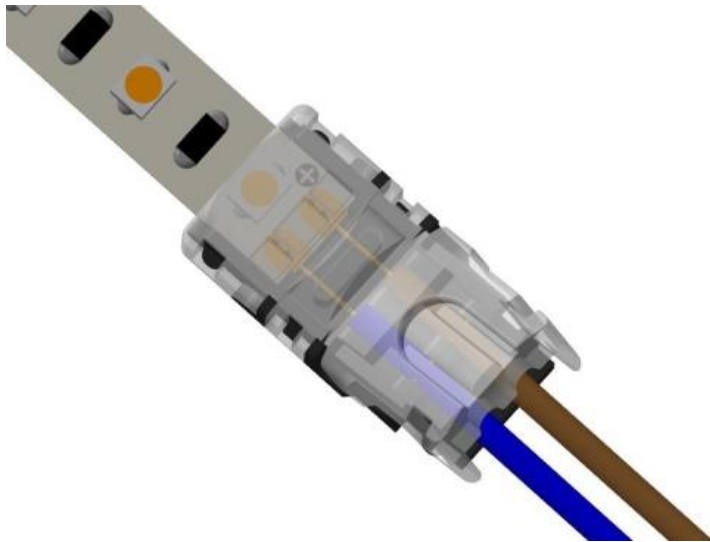
Wire end operation (if have)



2-1: Insert wire to wire holder of connector and down close cap



2-2: Ensure cap is locked by base of connector



2-3: Attaching Wire Completed



2-4: Connection Completed

Note: Above operation is about non-waterproof type, waterproof version is very similar